

**MOUNTING MADE EASY.**

COMPLETE HUBBING  
SOLUTION



**RHODIUS**

FAST AND STRAIGHTFORWARD

# ALL FROM A SINGLE SOURCE



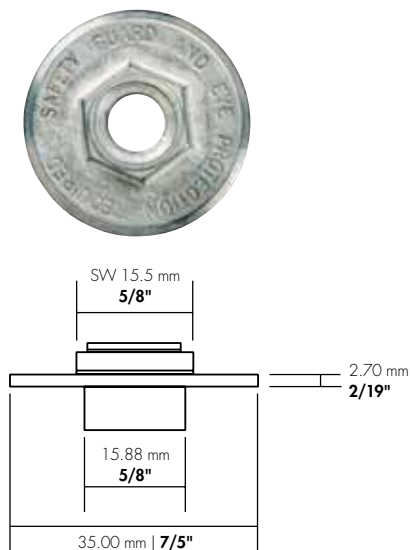
**We have always been committed to making your work easier and safer.**

RHODIUS is now introducing the RHODIUS Hubbing System for safe and quick, tool free wheel changes.

The RHODIUS Hubbing System is a unique, fail-safe, throw-away hub assembly that ensures an extremely strong hub-to-wheel stability by combining a high performance epoxy bonding system with a mechanically locking system and a state-of-the-art, fully automated hubbing machine. Our hubs are available for 4", 4-1/2", 5", 6", 7" and 9" cut-off and grinding wheels as well as flap discs and comply with the latest ANSI standards.

Reduce complexity in your supply chain and take advantage of the RHODIUS Hubbing System to get your high quality wheels and hubs from a single source "Made in Germany".

## HUB RH SMALL



Hub Thread: 3/8" - 24

**Suitable for cutting wheels & grinding wheels**

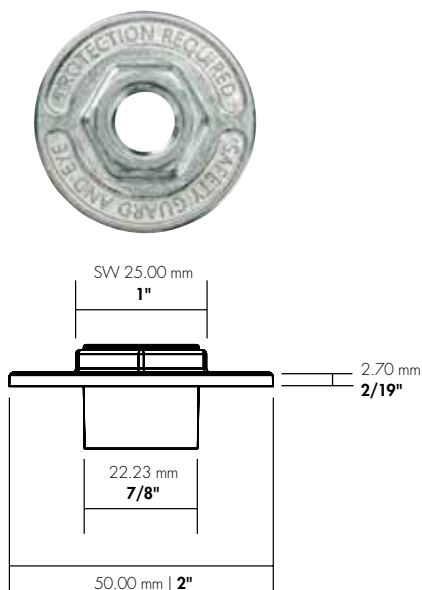
Shape   Type:	EU 41/42/27	US 1/27/27
Bore diameter:	15.88 mm	5/8"
Wheel diameter:	100 - 105 mm	4"
Wheel thickness:	1.5 - 7.0 mm	3/64" - 1/4"

**Suitable for flap discs**

Bore diameter:	15.88 mm	5/8"
Disc diameter:	100 - 105 mm	4"



## HUB RH MEDIUM



Hub Thread: 5/8" - 11

**Suitable for cutting wheels & grinding wheels**

Shape   Type:	EU 41/42/27	US 1/27/27
Bore diameter:	22.23 mm	7/8"
Wheel diameter:	100 - 150 mm	4" - 6"
Wheel thickness:	1.0 - 7.0 mm	0,040" - 1/4"

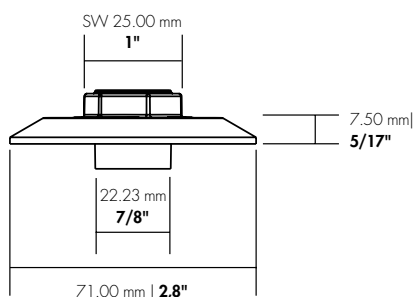
**Suitable for flap discs**

Bore diameter:	22.23 mm	7/8"
Disc diameter:	100 - 150 mm	4" - 6"





## HUB RH MEDIUM-LARGE



Hub Thread: 5/8" - 11

**Suitable for cutting wheels & grinding wheels**

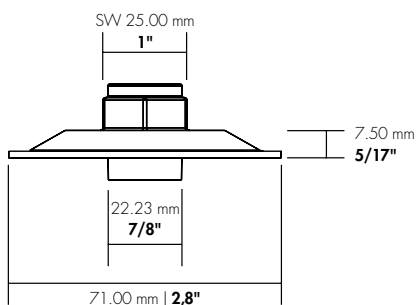
Shape   Type:	EU 42/27	US 27/27
Bore diameter:	22.23 mm	7/8"
Wheel diameter:	115 - 180 mm	4" - 7"
Wheel thickness:	1.5 - 7.0 mm	3/32" - 1/4"

**Suitable for flap discs**

Bore Diameter:	22.23 mm	7/8"
Disc diameter:	100 - 180 mm	4" - 7"



## HUB RH LARGE



Hub Thread: 5/8" - 11

**Suitable for cutting wheels & grinding wheels**

Shape   Type:	EU 42/27	US 27/27
Bore diameter:	22.23 mm	7/8"
Wheel diameter:	180 - 230 mm	7" - 9"
Wheel thickness:	1.5 - 7.0 mm	3/32" - 1/4"



# FIND THE RIGHT HUB QUICKLY:



Product Type	Diameter	Type   Shape US   Europe	Thickness	Bore Diameter	HUB RH SMALL	HUB RH MEDIUM	HUB RH MEDIUM-LARGE	HUB RH LARGE
<b>CUTTING WHEELS</b>	4"   100 mm	Type 1   Shape 41	5/64"   2.0 mm	5/8"   15.88 mm	•			
			3/32"   2.5 mm	5/8"   15.88 mm	•			
		Type 27   Shape 42	5/64"   2.0 mm	5/8"   15.88 mm	•			
			1/8"   3.0 mm	5/8"   15.88 mm	•			
	4 1/2"   115 mm	Type 1   Shape 41	1/16"   1.5 mm	7/8"   22.23 mm		•		
			5/64"   2.0 mm	7/8"   22.23 mm		•		
			3/32"   2.5 mm	7/8"   22.23 mm		•		
			1/8"   3.0 mm	7/8"   22.23 mm		•		
		Type 27   Shape 42	0.040"   1.0 mm	7/8"   22.23 mm		•		
			1/16"   1.5 mm	7/8"   22.23 mm		•		
			5/64"   1.9 mm	7/8"   22.23 mm		•		
			5/64"   2.0 mm	7/8"   22.23 mm		•		
			3/32"   2.5 mm	7/8"   22.23 mm		•	•	
			1/8"   3.0 mm	7/8"   22.23 mm		•	•	
		Type 27   Shape 27	5/64"   1.9 mm	7/8"   22.23 mm		•		
		5"   125 mm	Type 1   Shape 41	1/16"   1.5 mm	7/8"   22.23 mm		•	
	5/64"   2.0 mm			7/8"   22.23 mm		•		
	3/32"   2.5 mm			7/8"   22.23 mm		•		
	1/8"   3.0 mm			7/8"   22.23 mm		•		
	Type 27   Shape 42		1/16"   1.5 mm	7/8"   22.23 mm		•		
			5/64"   1.9 mm	7/8"   22.23 mm		•		
			5/64"   2.0 mm	7/8"   22.23 mm		•		
			3/32"   2.5 mm	7/8"   22.23 mm		•	•	
	Type 27   Shape 27	1/8"   3.0 mm	7/8"   22.23 mm		•	•		
	Type 27   Shape 27	5/64"   1.9 mm	7/8"   22.23 mm		•			
	6"   150 mm	Type 1   Shape 41	1/16"   1.5 mm	7/8"   22.23 mm		•		
			5/64"   2.0 mm	7/8"   22.23 mm		•		
			1/8"   3.0 mm	7/8"   22.23 mm		•		
		Type 27   Shape 42	0.040"   1.0 mm	7/8"   22.23 mm		•	•	
			1/8"   3.0 mm	7/8"   22.23 mm		•	•	
7"   180 mm	Type 27   Shape 42	1/16"   1.5 mm	7/8"   22.23 mm		•			
		5/64"   2.0 mm	7/8"   22.23 mm		•			
		3/32"   2.5 mm	7/8"   22.23 mm		•	•	•	
		1/8"   3.0 mm	7/8"   22.23 mm		•	•	•	
9"   230 mm	Type 27   Shape 42	5/64"   1.9 mm	7/8"   22.23 mm				•	
		5/64"   2.0 mm	7/8"   22.23 mm				•	
		3/32"   2.5 mm	7/8"   22.23 mm				•	
		1/8"   3.0 mm	7/8"   22.23 mm				•	
<b>GRINDING WHEELS</b>	4"   105 mm	Type 27   Shape 27	1/4"   7.0 mm	5/8"   15.88 mm	•			
	4 1/2"   115 mm	Type 27   Shape 27	5/32"   4.0 mm	7/8"   22.23 mm		•	•	
			1/4"   7.0 mm	7/8"   22.23 mm		•	•	
	5"   125 mm	Type 27   Shape 27	5/32"   4.0 mm	7/8"   22.23 mm		•	•	
			1/4"   7.0 mm	7/8"   22.23 mm		•	•	
	6"   150 mm	Type 27   Shape 27	5/32"   4.0 mm	7/8"   22.23 mm		•	•	
			1/4"   7.0 mm	7/8"   22.23 mm		•	•	
	7"   180 mm	Type 27   Shape 27	5/32"   4.0 mm	7/8"   22.23 mm			•	•
			1/4"   7.0 mm	7/8"   22.23 mm			•	•
			0.314"   8.0 mm	7/8"   22.23 mm			•	•
	9"   230 mm	Type 27   Shape 27	1/4"   7.0 mm	7/8"   22.23 mm				•
			0.314"   8.0 mm	7/8"   22.23 mm				•
<b>FLAP DISCS</b>	4"   100 mm	Type 29   angled		5/8"   15.88 mm	•			
	4 1/2"   115 mm	Type 29   angled		7/8"   22.23 mm		•	•	
		Type 27   straight		7/8"   22.23 mm		•	•	
	5"   125 mm	Type 29   angled		7/8"   22.23 mm		•	•	
		Type 27   straight		7/8"   22.23 mm		•	•	
	6"   150 mm	Type 29   angled		7/8"   22.23 mm		•	•	
	7"   180 mm	Type 29   angled		5/8"   15.88 mm			•	•
		Type 27   straight		7/8"   22.23 mm			•	•